
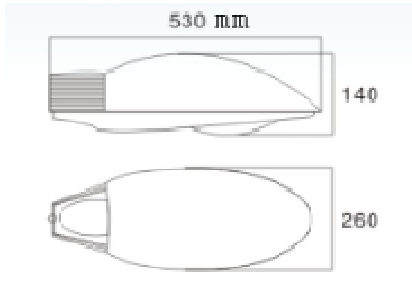


Model No	Description		
	Specification		Photo
SLT-12W20	Power:	25W	
	LED qty:	24pieces (1W Epistar LED)	
	Lumen:	2600lm	
	Temp up at work:	<20°C	
	Power Efficiency:	>88%	
	Illuminate range:	20-28m	
	Applicable height:	3-5m	
	Input voltage:	12V DC	
	Height-center luminance:	6m-16lux 3m-30lux	
	CRI Ra:	≥80	
	LED color temp:	White(warm/neutral/cool)	
	Frequency:	50Hz	
	Lifespan:	>50,000hours	
	Moisture allowed:	≤95%	
	Power factor:	0.95	
	NW/GW:	3.8/4.5KG	
	Package:	585×275×190mm	
	Certification:	CE,ROHS	
Warranty:	1 years		
Shell Material:	Aluminum alloy (die casting)		