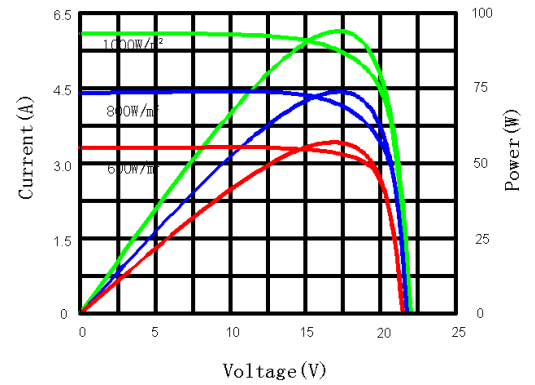
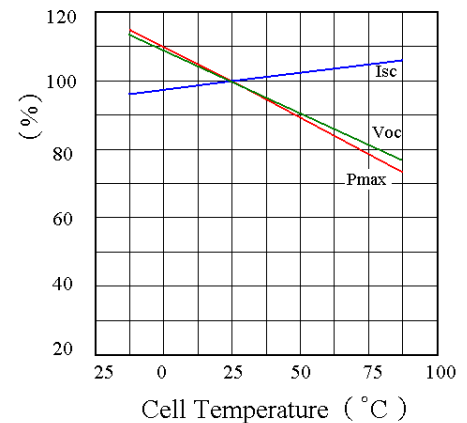


SM SOLAR

Model SM95	95
Max. power at STC(Pm)	95W
Open-circuit voltage(Voc)	22.38V
Short-circuit current(Isc)	5.63A
Voltage at Pmax(Vmp)	18.20V
Current at Pmax(Imp)	5.22A
Power tolerance	±3%
NOCT	48°C±2°C
Temp. coefficient of Voc	-0.34%/°C
Temp. coefficient of Isc	0.031%/°C
Temp. coefficient of Power	-0.46%/°C
Max. series fuse rating	10A
Max.system voltage	DC 1000V(VDE)/ DC 600V(UL)

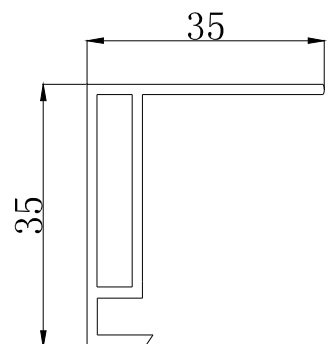
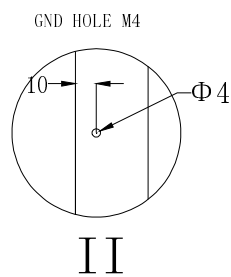
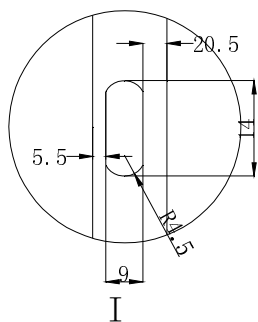
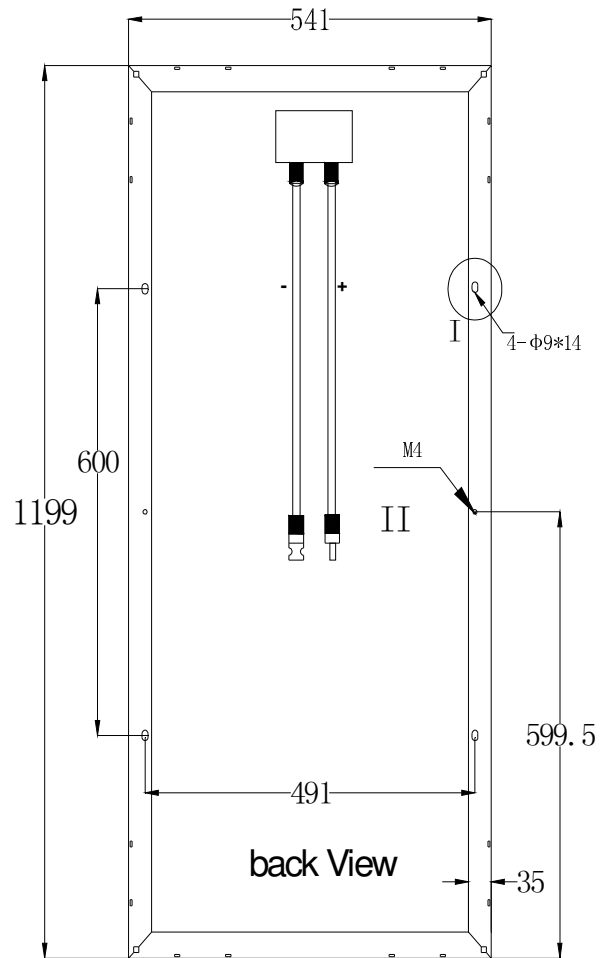
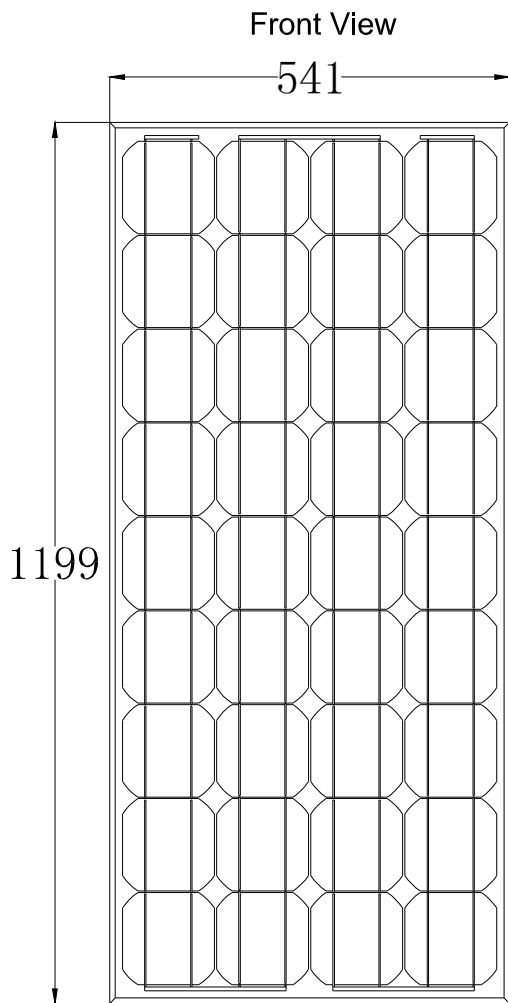


Cell size	125×125mm
No.of cells and connections	36 (4*9)
Dimension of module	1199*541*35mm
Weight	8.7Kg



Temperature cycling range	-40°C to +85°C
Humidity freeze, damp heat	85% RH
Static load front and back	2400 Pascal
Front loading	5400 Pascal
Hailstone impact	25mm at 23 m/s





Guarantee:

3-years product guarantee

5-years performance guarantee at 90% power output

10- years performance guarantee at 80% power output

Note:

- 1、 STC: Irradiance 1000W/m², Module temperature 25°C, AM=1.5
- 2、 Nominal Operation Cell Temperature above data is only for reference