

Features -

- Nominal 12V DC for standard output.
- High efficiency.
- Outstanding low-light performance.
- High transmission tempered glass.
- Rugged design to withstands high wind pressure and snow load, easy installation.
- Aesthetic appearance.
- Design to meet unique demand of customer.
- 10 year module output warranty.

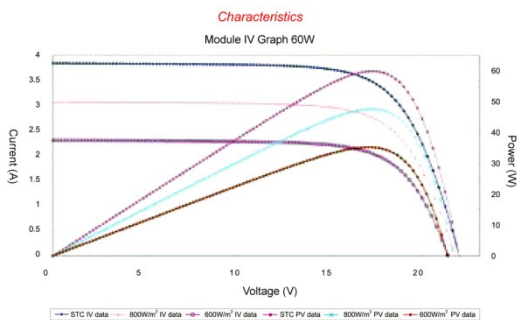
Electrical Characteristics

SM85p-12

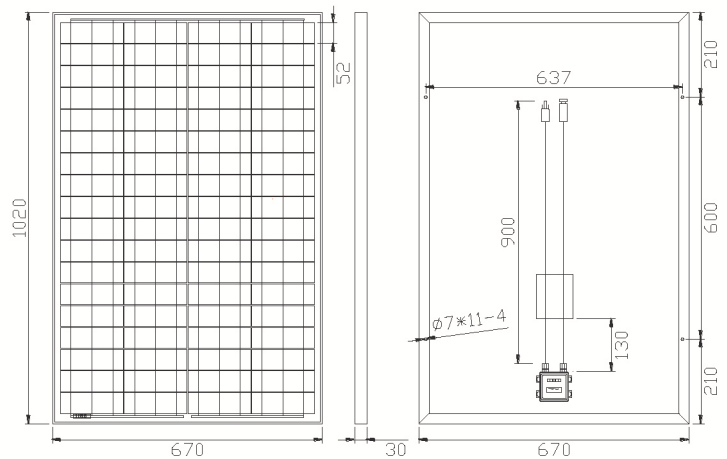
Maximum power at STC (Pmax)	85W
Optimum operating voltage (Vmp)	17.5V
Optimum operating current (Imp)	4.86A
Open-circuit voltage (Voc)	21.7V
Short-circuit current (Isc)	5.37A
Short-circuit current temperature coefficient	(0.065±0.015)%/C
Open-circuit voltage temperature coefficient	-(80±10)mV/C
Peak power temperature coefficient	-(0.5±0.05)%/C
NOCT (Air 20°C; Sun 0.8kW/m wind 1m/s)	47±2C
Operating temperature	-40C to 85C
Maximum system voltage	600V DC
Power tolerance	±3%

STC: Irradiance 1000W/m², Module temperature 25C, AM=1.5

Characteristics



Dimension



Specification

SM85p-12

Cell	Poly-crystalline 156x52mm
No. of cell and connection	72 (4x18)
Dimension of module	1020mm×670mm×30mm
Weight	8.5kg

Specifications are subject to change without notice at any time.