

Features -

- Nominal 12V DC for standard output.
- High efficiency.
- Outstanding low-light performance.
- High transmission tempered glass.
- Rugged design to withstands high wind pressure and snow load, easy installation.
- Aesthetic appearance.
- Design to meet unique demand of customer.
- 10 year module output warranty.

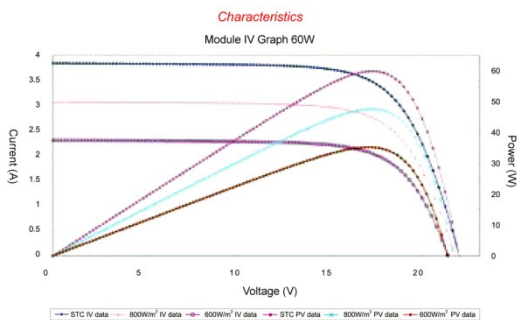
Electrical

SM60p-12

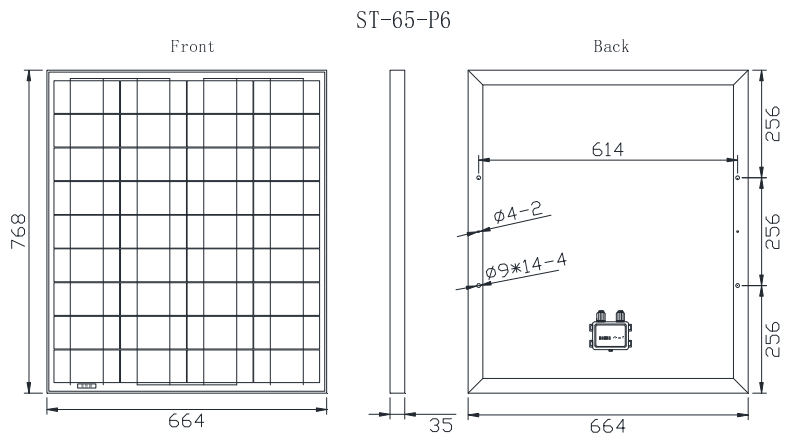
Maximum power at STC (Pmax)	60W
Optimum operating voltage (Vmp)	17.4V
Optimum operating current (Imp)	3.73A
Open-circuit voltage (Voc)	21.6V
Short-circuit current (Isc)	4.12A
Short-circuit current temperature coefficient	+0.065%/C
Open-circuit voltage temperature coefficient	-0.35%/C
Peak power temperature coefficient	-0.4%/C
NOCT (Air 20°C; Sun 0.8kW/m wind 1m/s)	47±2C
Operating temperature	-40C to 85C
Maximum system voltage	600V DC

Characteristics

Characteristics



Dimension



Specification

SM60p-12

Cell	Poly-crystalline silicon solar cells
No. of cell and connection	36 (4×9)
Dimension of module	768mm×664mm×35mm
Weight	6.5kg

Specifications are subject to change without notice at any time.