

# ROCKET

Global Battery Company, Korea

**ES40-12**

12V40.0Ah

## General Application

ES40-12 is a general purpose battery with 4~6 years in standby service or more than 400 cycles at 50% depth of discharge in cycle service.

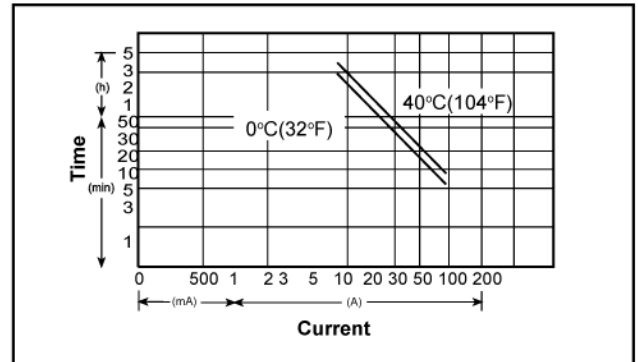
## Specification

● NOMINAL VOLTAGE	: 12 V
● NOMINAL CAPACITY(20 hr)	: 40.0 Ah
● DIMENSIONS	
TOTAL HEIGHT	: 170 mm ( 6.69 inches )
CONTAINER HEIGHT	: 170 mm ( 6.69 inches )
LENGTH	: 197 mm ( 7.76 inches )
WIDTH	: 165 mm ( 6.50 inches )
● WEIGHT	: APPROX 14.4 Kg ( 31.83 lbs )
● CONTAINER MATERIAL	: UL94HB ABS
	: UL94V-0 ABS
● INTERNAL RESISTANCE( 25°C , 77 °F )	: ~8mΩ
● DISCHARGE CAPACITY UNDER DIFFERENT TEMPERATURES	
40°C	: ~102%
25°C	: ~100%
0 °C	: ~85%

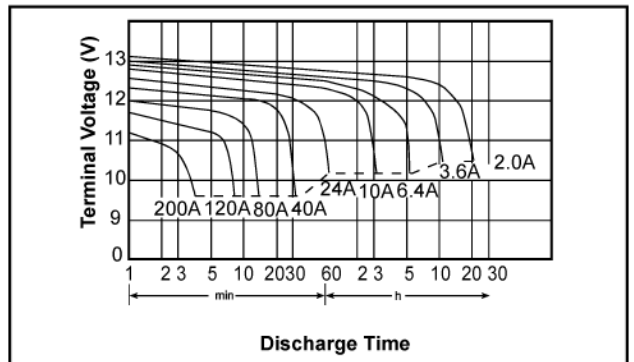
## Characteristics

● CAPACITY 25 °C / 77 °F	
20 hr @ 2 A	: 40 Ah
5 hr @ 6.4 A	: 32.6 Ah
1 hr @ 24 A	: 24.2 Ah
1 C @ 40 A	: 20 Ah
● CHARGING VOLTAGE ( 25°C , 77 °F )	
STANDBY USE	: 13.65V±0.15 V
CYCLE USE	: 14.7V ± 0.3V
● MAX DISCHARGE CURRENT	: 400 A ( 5 sec )
● MAX CHARGING CURRENT	: 12 A
● SELF-DISCHARGE RESIDUAL CAPACITY( 25°C , 77 °F )	
AFTER 3 MONTHS	: 90%
AFTER 6 MONTHS	: 82%
AFTER 12 MONTHS	: 70%

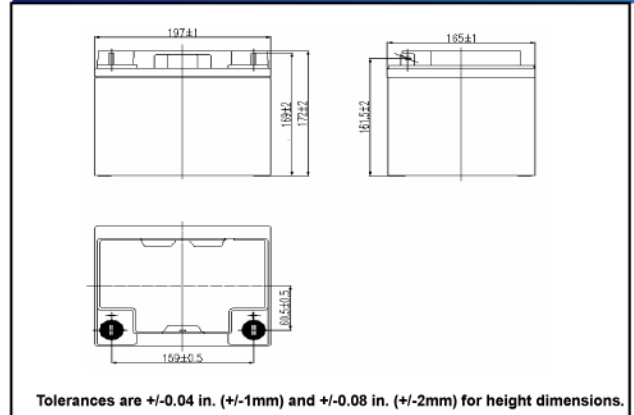
## Discharge Current vs Time



## Discharge Characteristics @25 °C ( 77 °F )



## Dimensions



## Terminal

