

TECHNICAL SPECIFICATION

1) DESIGN CONDITIONS

1.1 BASIC WIND SPEED : 35 m/s

2) STANDARDS

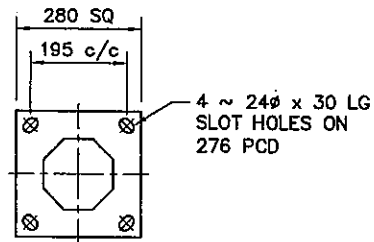
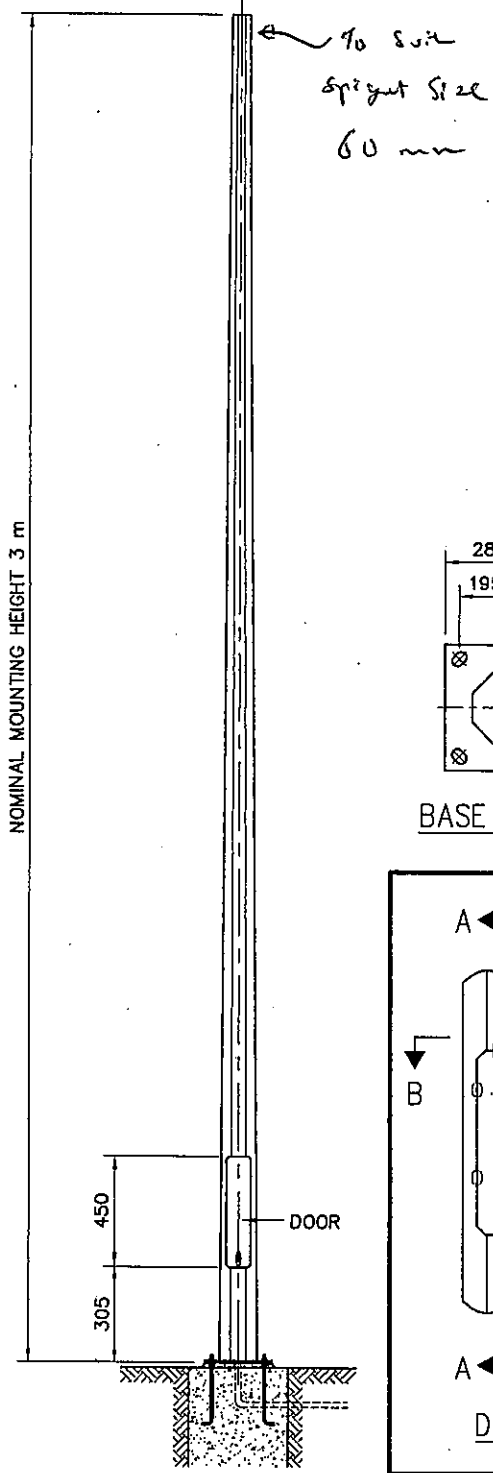
2.1 POLE DESIGN : BS 5649, CP3
 2.2 MATERIAL : BS 4360 / JIS G3101 SS400 / BS EN 10025
 2.3 WELDING (ELECTRIC ARC WELDING) : BS 5135
 2.4 GALVANIZING : BS 729 / BS EN ISO 1461

3) TESTING PROCEDURES

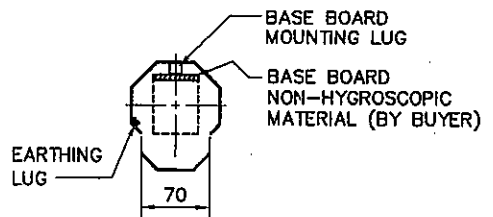
: DIMENSIONAL VERIFICATION
 GALVANIZING THICKNESS
 MATERIAL THICKNESS
 TYPE TESTS : BS 5649 PT.8

4) QUALITY CONTROL PROCEDURES

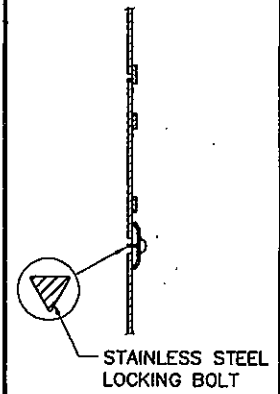
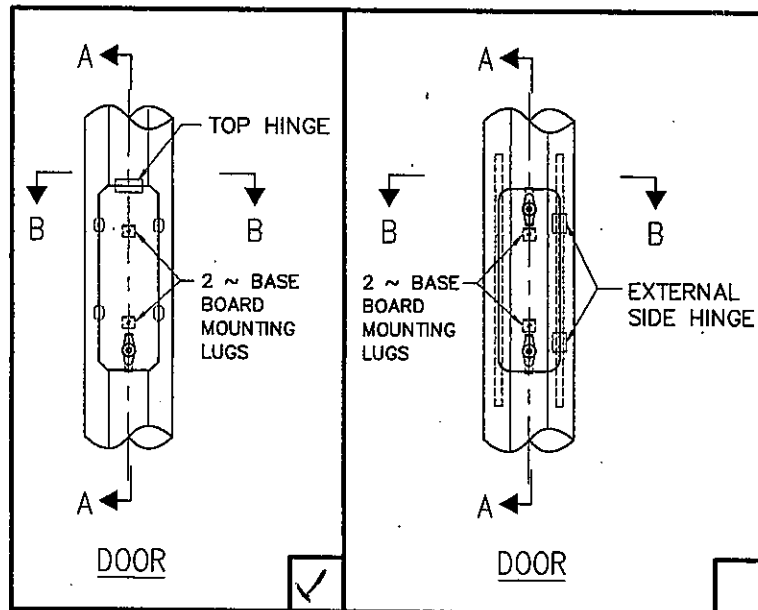
: THE SUPPLIER/MANUFACTURER AND GALVANIZER OF THE COLUMN SHALL BE ISO 9001 : 2000 ACCREDITED.



BASE FLANGE



SECT B-B



SECT A-A

PRELIMINARY DRAWING
FOR TENDER PURPOSES ONLY

C	REVISION	FO	SKL	16/09/06	PROJECTION	CLIENT : PROJECT :		
B		CC	SKL	10/6/05	DIMENSIONS IN mm	TITLE : 3 m PARK LIGHTING COLUMN (FLANGED TYPE)		
A		CHOW	TBT	1/3/99	UNLESS STATED	SHEET SIZE	LYSAGHT MARKETING (S) PTE LTD	
REV	DETAILS	BY	CHD	DATE	A4	DATE : 7/6/96		
ALL DIMS ARE SUBJECT TO MANUFACTURING TOLERANCES		This drawing and the information contained herein is the sole property of LYSAGHT GROUP OF COMPANIES, is strictly confidential and must not be used or disclosed without the written consent of LYSAGHT GROUP OF COMPANIES				DRAWN: Christina	CHD:	DWG./CODE NO. V030FA
						SCALE: N.T.S	DATE: 7/6/96	SHEET 1 of 1 REV A B C