

SeaStar series

Solar Controller



SeaStar series Moisture proof solar controller that adopts the most advanced digital technique and operates fully automatically. The Pulse Width Modulation (PWM) battery charging can greatly increase the lifetime of battery.

Application:

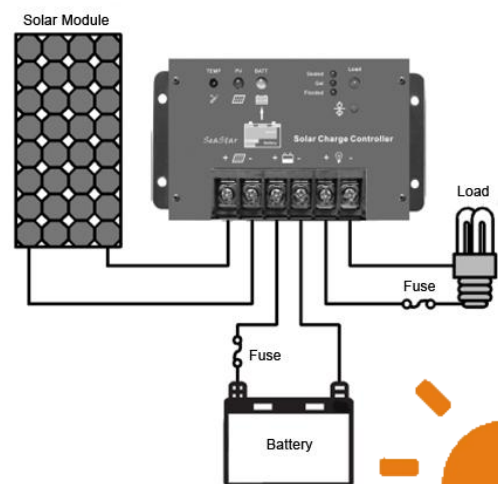
Moisture proof, ideal for off-grid solar system in humid area.

- ★ Solar marine
- ★ Solar monitoring equipment on island
- ★ Other off-grid solar systems which need moisture-proof design



Features:

- ◆ Aluminum case
- ◆ 12/24V auto work
- ◆ Excellent self-protection function
- ◆ High efficient Series PWM charging
- ◆ Moisture proof, circuit board encapsulation.
- ◆ Gel, Sealed and Flooded battery type option.
- ◆ Use MOSFET as electronic switch
- ◆ Temperature compensation
- ◆ Electronic protection: over charging, over discharging, overload, short circuit , and overheating
- ◆ Reverse protection: any combination of solar module and battery



SeaStar Series Solar Controller

Electrical parameters	SS1024	SS1524	SS2024
Nominal System Voltage	12 / 24VDC auto work		
Rated Battery Current	10A	15A	20A
Max. Battery Voltage	32V		
Charge Circuit Voltage Drop	≤0.26V		
Discharge Circuit Voltage Drop	≤0.15V		
Self-consumption	≤6mA		

Battery Voltage Parameters (temperature at 25°C)			
Battery charging setting	Gel	Sealed	Flooded
Equalize Charging Voltage	—	14.6V;x2/24V	14.8V;x2/24V
Boost Charging Voltage	14.2V;x2/24V	14.4V;x2/24V	14.6V;x2/24V
Float Charging Voltage	13.8V;x2/24V	13.8V;x2/24V	13.8V;x2/24V
Low Voltage Reconnect Voltage	12.6V;x2/24V	12.6V;x2/24V	12.6V;x2/24V
Low Voltage Disconnect Voltage	11.1V;x2/24V	11.1V;x2/24V	11.1V;x2/24V
Equalize Duration	—	2 hours	2 hours
Boost Duration	2 hours	2 hours	2 hours

Environmental parameters		Mechanical Parameters	SS1024	SS1524/SS2024
Working temperature	-35°C to +55°C	Overall dimension	132x70x30mm	137x86x48mm
Storage temperature	-35°C to +80°C	Mounting dimension	122x40mm	127x50mm
Humidity	10%-90% NC	Terminal	6mm ²	10mm ²
		Net weight	0.25kg	0.45kg



BEIJING EPSOLAR TECHNOLOGY CO.,LTD.
 Add: BLDG #18, CO.PARK ,NO.8 HEYING ROAD ,
 CHANGPING DISTRICT, BEIJING, CHINA
 Tel: 010-82894962 / 82894112
 Fax: 010-82894882
 E-mail: info@epsolarpv.com

